



Installation instructions, accessories

Volvo Car Corporation Gothenburg, Sweden

Instruction No	Version	Part. No.
31414175	1.0	31389321, 31389322

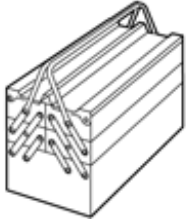
Decor panel, door



Installation instructions, accessories

Volvo Car Corporation Gothenburg, Sweden

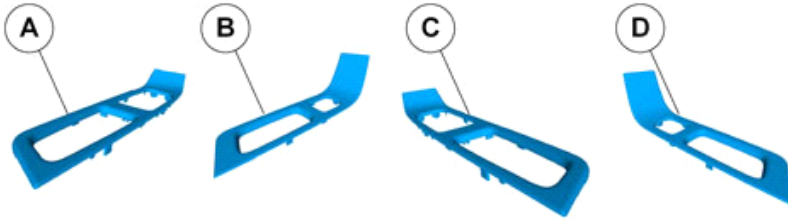
Equipment



IMG-345497



IMG-239667



IMG-376273



Installation instructions, accessories

Volvo Car Corporation Gothenburg, Sweden

Information

1

Read through all of the instructions before starting installation.

Notifications and warning texts are for your safety and to minimise the risk of something breaking during installation.

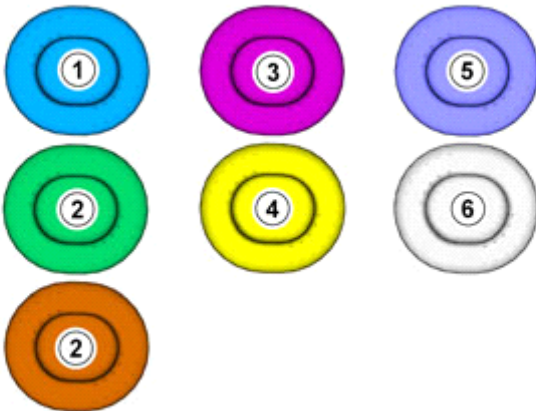
Ensure that all tools stated in the instructions are available before starting installation.

Certain steps in the instructions are only presented in the form of images. Explanatory text is also given for more complicated steps.

In the event of any problems with the instructions or the accessory, contact your local Volvo dealer.

Color symbols

2



IMG-363036

Note!

This colour chart displays (in colour print and electronic version) the importance of the different colours used in the images of the method steps.

1. Used for focused component, the component with which you will do something.
2. Used as extra colors when you need to show or differentiate additional parts.
3. Used for attachments that are to be removed/installed. May be screws, clips, connectors, etc.
4. Used when the component is not fully removed from the vehicle but only hung to the side.
5. Used for standard tools and special tools.
6. Used as background color for vehicle components.

Preparation



Installation instructions, accessories

Volvo Car Corporation Gothenburg, Sweden

3

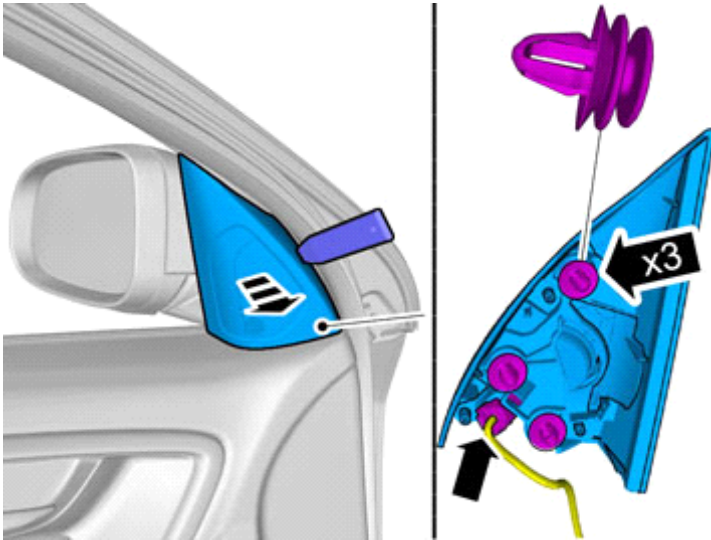
Set the ignition key to position 0.



IMG-332193

Removal

4



IMG-339501

Remove the panel.

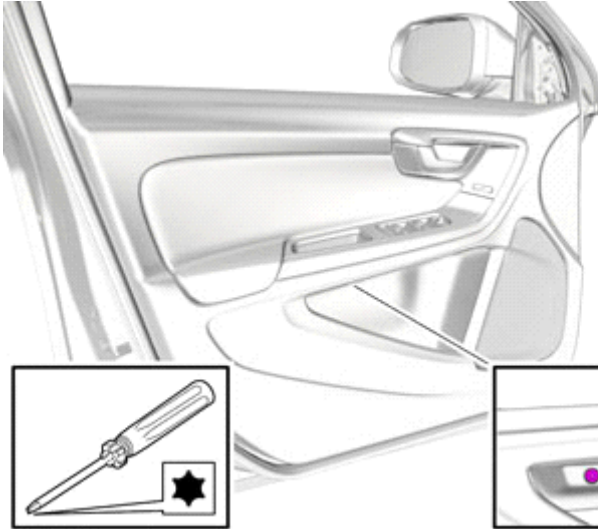
Disconnect any connector(s).



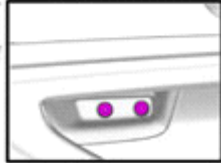
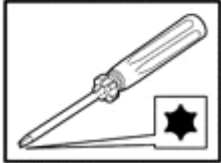
Installation instructions, accessories

Volvo Car Corporation Gothenburg, Sweden

5

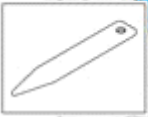
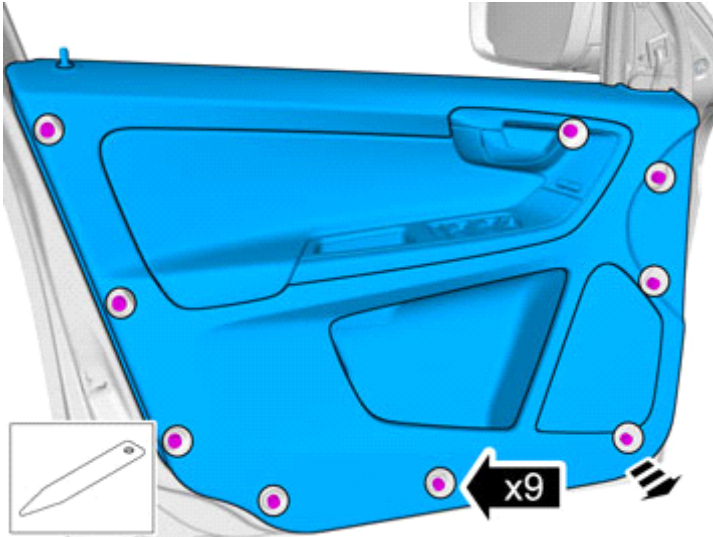


Remove the screws.



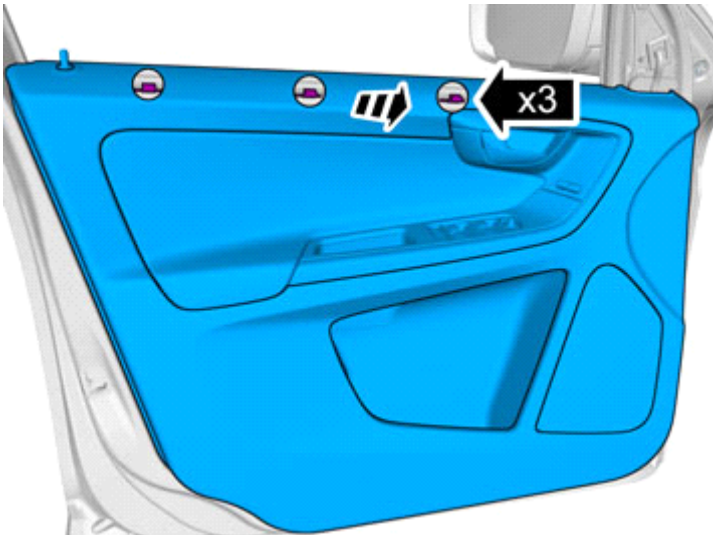
IMG-339510

6



IMG-376441

7



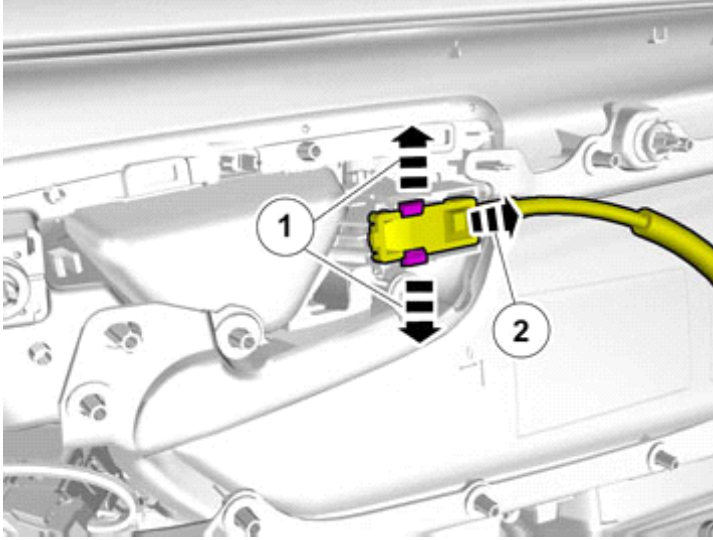
IMG-376444



Installation instructions, accessories

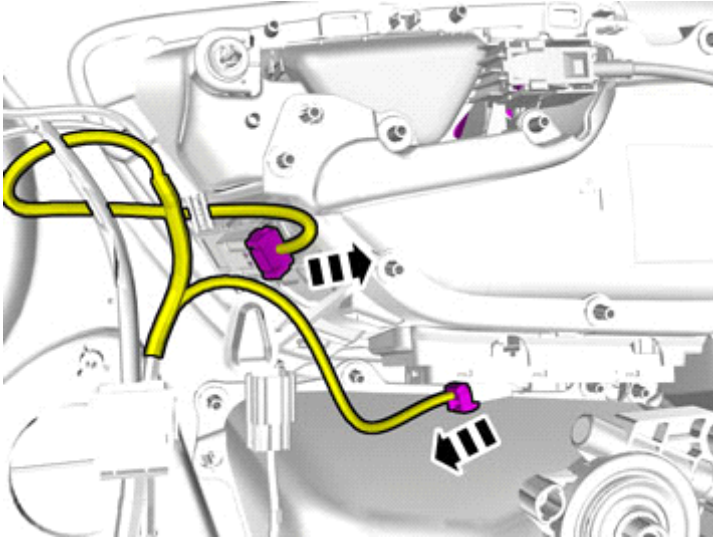
Volvo Car Corporation Gothenburg, Sweden

8



IMG-339530

9

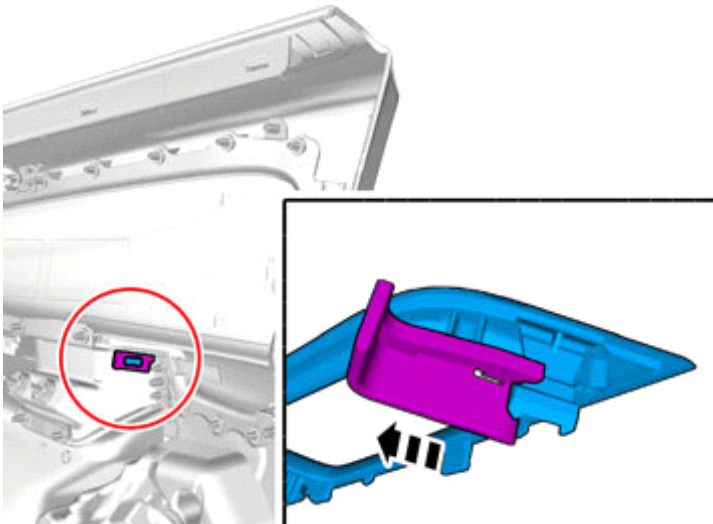


IMG-339531

Disconnect the connectors.

Remove the panel.

10



IMG-364681

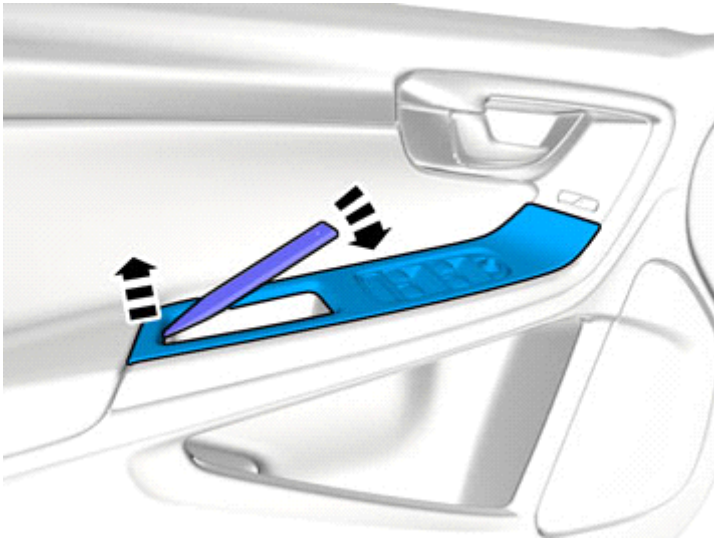
Remove the clip.



Installation instructions, accessories

Volvo Car Corporation Gothenburg, Sweden

11

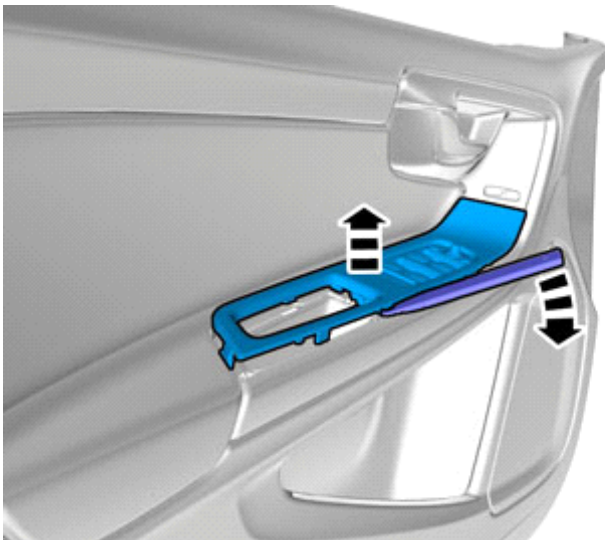


IMG-364688

Note!

Only use moderate force.

12



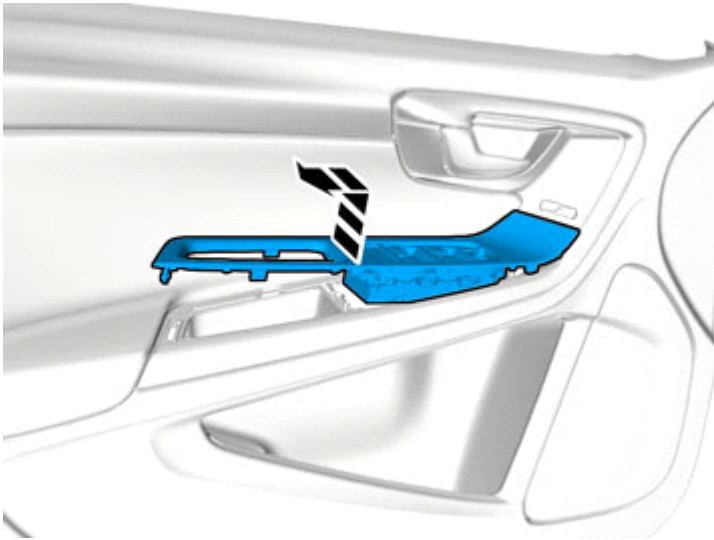
IMG-364689



Installation instructions, accessories

Volvo Car Corporation Gothenburg, Sweden

13



IMG-364701

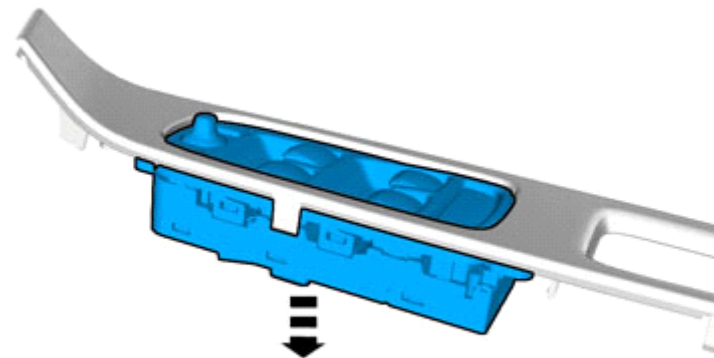
14

Remove the screws.



IMG-340616

15



IMG-340617

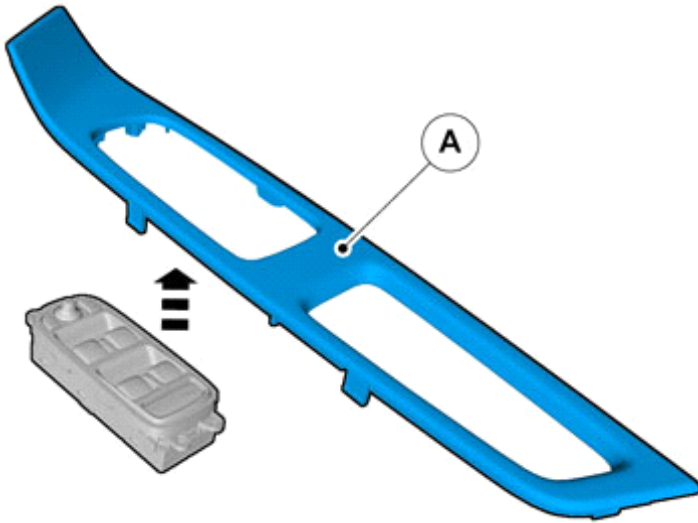


Installation instructions, accessories

Volvo Car Corporation Gothenburg, Sweden

Accessory installation

16



IMG-376283

17

Reinstall the screws.



IMG-340616

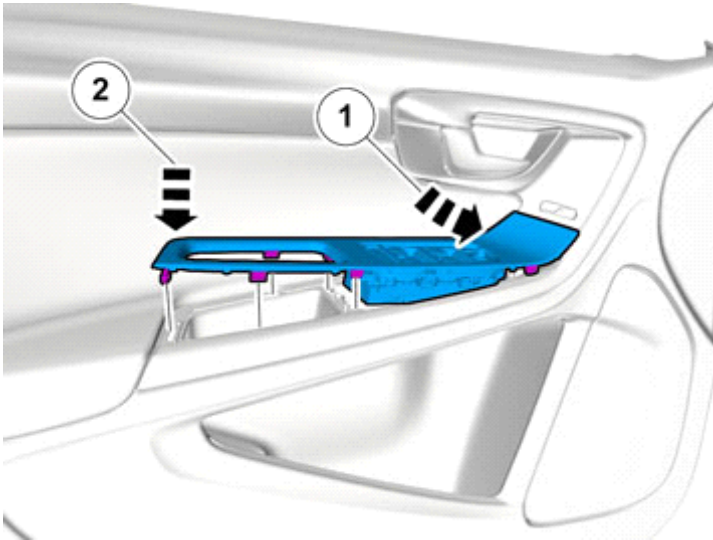
Installation



Installation instructions, accessories

Volvo Car Corporation Gothenburg, Sweden

18



IMG-364705

Caution!

Take extra care when handling the component.

Caution!

Only use moderate force.

Caution!

Make sure that equal pressure is applied to the full length of the component.

19

Reinstall the removed parts in reverse order.

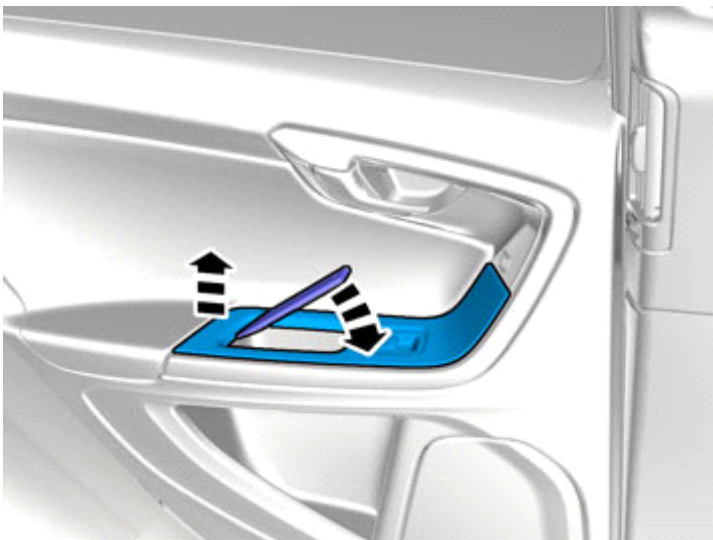
Repeat the steps when removing on opposite side.

Repeat the steps when installing accessories on opposite side.

Repeat the steps when installing on opposite side.

Removal

20



IMG-364711

Note!

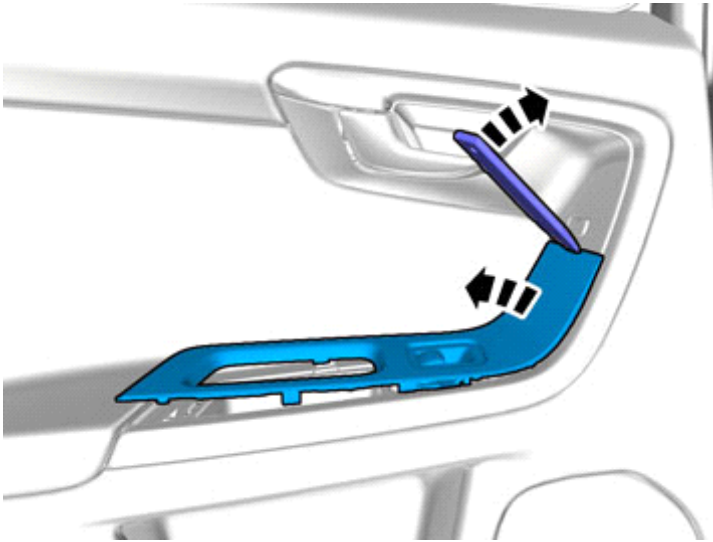
Only use moderate force.



Installation instructions, accessories

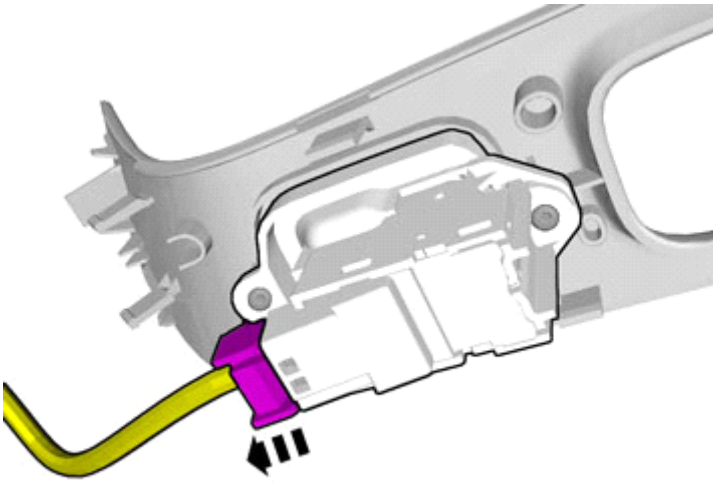
Volvo Car Corporation Gothenburg, Sweden

21



IMG-364712

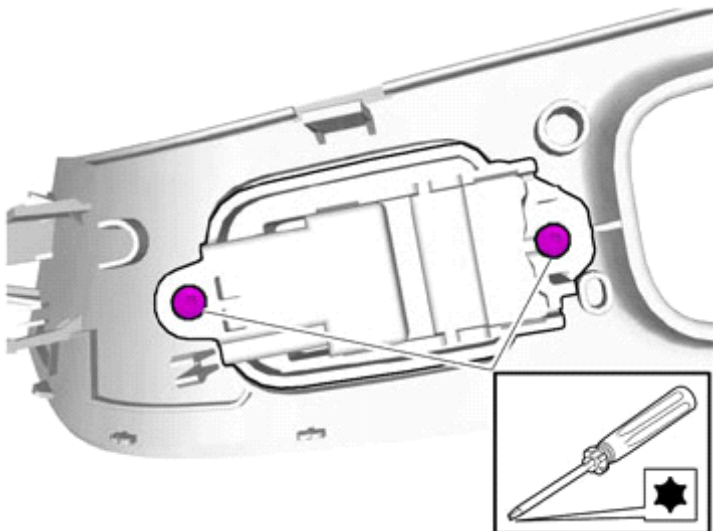
22



IMG-340626

Disconnect the connector.

23



IMG-340630

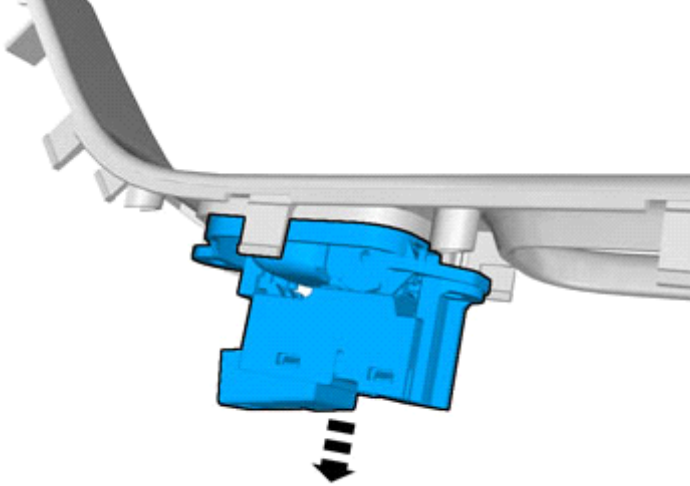
Remove the screws.



Installation instructions, accessories

Volvo Car Corporation Gothenburg, Sweden

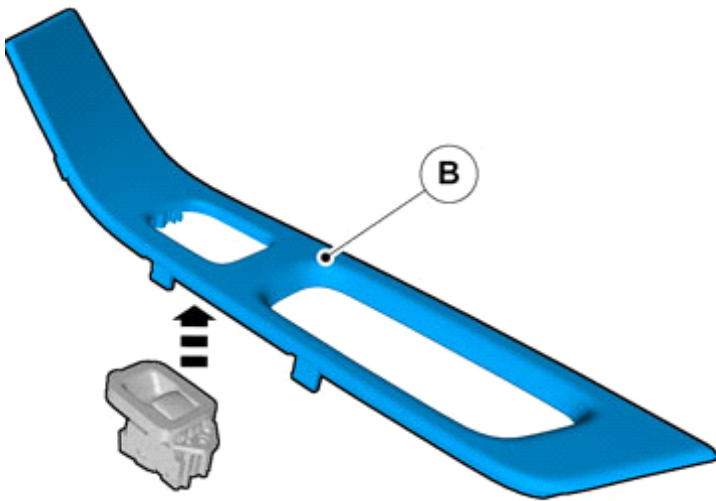
24



IMG-340631

Accessory installation

25



IMG-376284

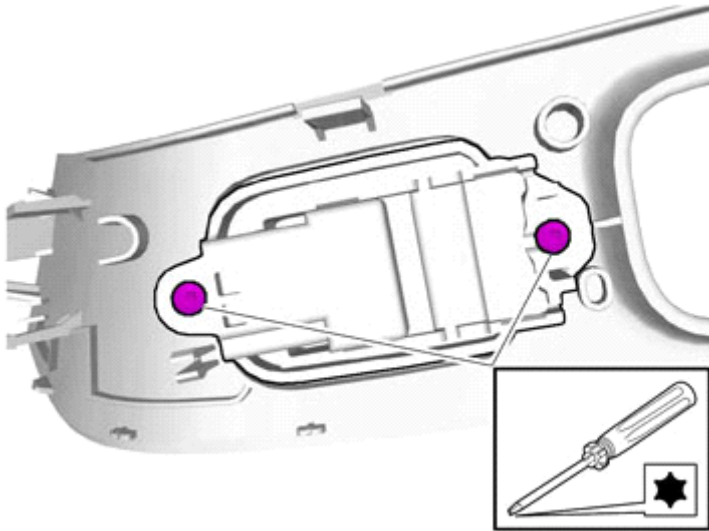
Installation



Installation instructions, accessories

Volvo Car Corporation Gothenburg, Sweden

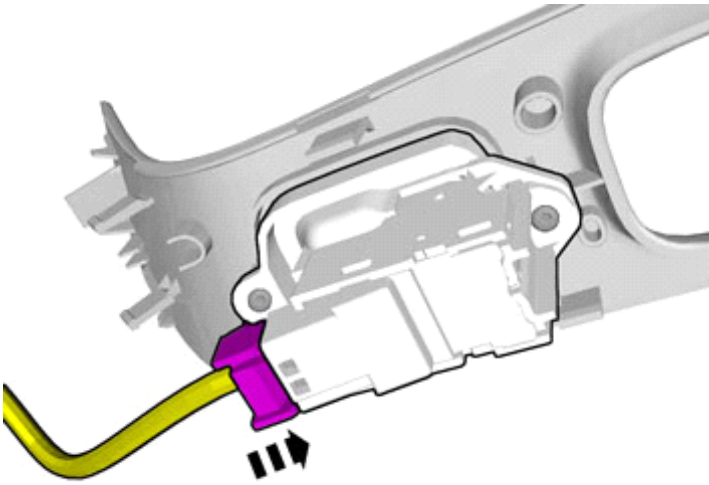
26



IMG-340630

Reinstall the screws.

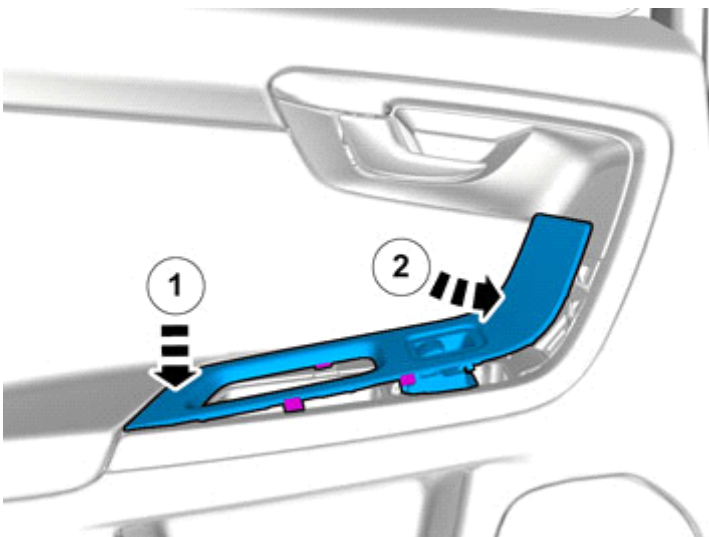
27



IMG-340633

Connect the connector.

28



IMG-364716

Caution!
Only use moderate force.

Caution!
Make sure that equal pressure is applied to the full length of the component.

Caution!
Take extra care when handling the component.



Installation instructions, accessories

Volvo Car Corporation Gothenburg, Sweden

29

Reinstall the removed parts in reverse order.

Repeat the steps when removing on opposite side.

Repeat the steps when installing accessories on opposite side.

Repeat the steps when installing on opposite side.
